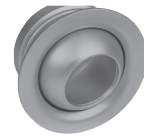


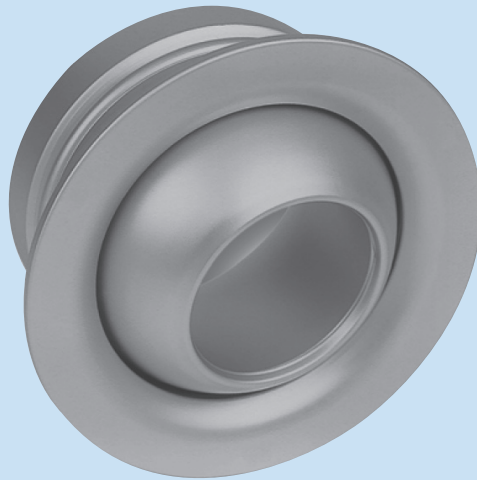
VS-5

long throw jet nozzle diffuser



7.4

7 LONG THROW JET NOZZLE DIFFUSER

**Design**

Long throw jet diffuser VS-5 is used for supplying rooms with warm or cold air, where long throws and low sound levels are required. The overall flow rate can be increased by combining banks of the VS-5 in an array arrangement. Therefore the long throw jet nozzle diffuser can be assembled in a variety ways.

Function:

The long throw jet diffuser VS-5 is fully adjustable:

- manually in all directions by +/- 30 degrees
- motor-driven in horizontal or vertical direction by +/- 30 degrees.

The jet setting depends on the supply air temperature. The inner exhaust air nozzle is integrated within the casing and even at the largest size (ie 400) it does not protrude more than 45 mm beyond the casing depth (see dimensions L2, at 0 degrees).

Material:

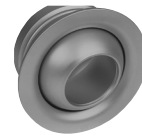
The long throw jet diffuser consists of aluminium naturally anodized in E6- EV1.

Accessories & optional varieties:

- other colours according to RAL on request
- motor-driven or by thermal element
- adapter for round tube or duct installation
- plug-in connector

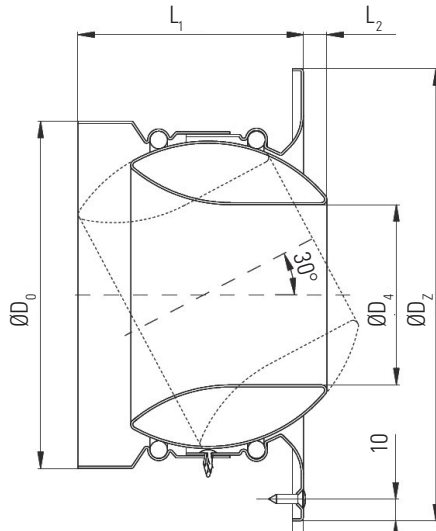
VS-5

long throw jet nozzle diffuser

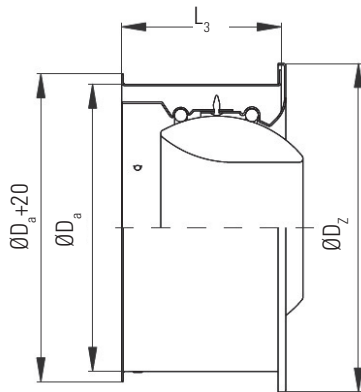


dimensions manual adjustment:

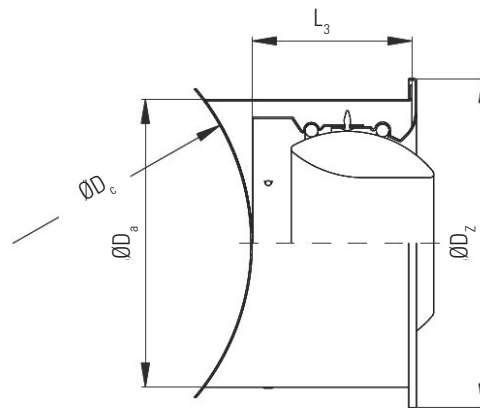
screw fastening via blind ring


 installation dimensions = $D_0 + 10$ mm

assembly with duct adapter (KA)

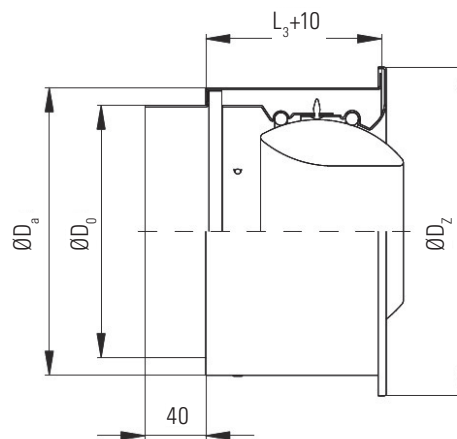


assembly with tube adapter (RA)



duct diameters have to be specified with order

assembly with plug-in connector (SV)



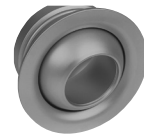
accessories pre-assembled without visible signs of screws

size	$\varnothing D_0$ [mm]	$\varnothing D_z$ [mm]	$\varnothing D_4$ [mm]	$\varnothing D_a$ [mm]	$\varnothing D_c$ min [mm]	L_1 [mm]	L_2^* [mm]	L_3 [mm]	A_{eff} [m ²]	weight [kg]
100	98	146	40	118	125	87	-5	90	0,0013	0,20
125	123	171	64	143	150	91	-1	95	0,0032	0,27
160	158	206	82	178	180	98	11	100	0,0053	0,3
200	198	252	108	224	224	108	19	110	0,0092	0,55
250	248	312	136	284	315	121	29	120	0,0145	0,77
315	313	377	174	349	355	145	35	150	0,0238	1,12
400	398	472	230	444	450	171	45	170	0,0415	1,64

*) for setting angle 0° (horizontal)

VS-5

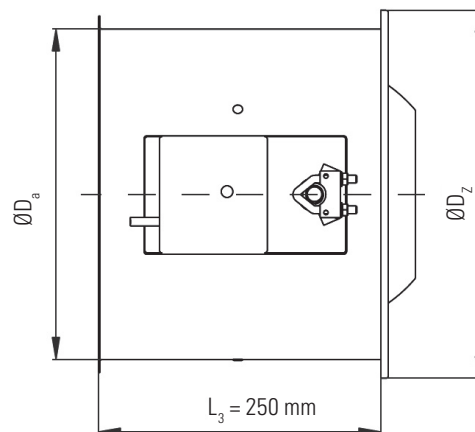
long throw jet nozzle diffuser



7.4

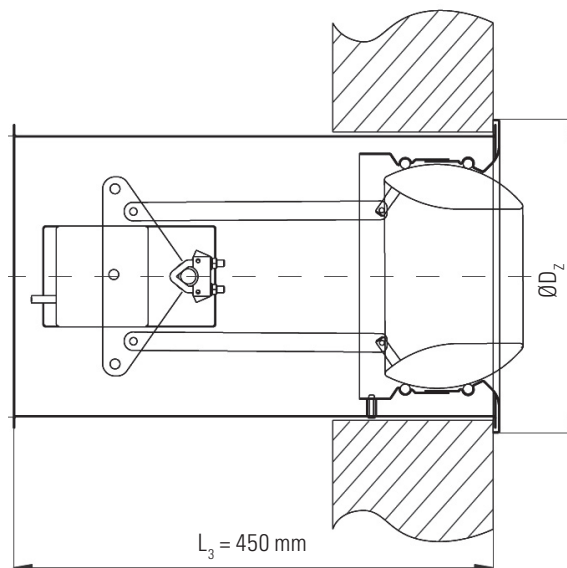
dimensions motor-driven adjustment:

standard finish:



possible finish for tube adapter duct adapter and plug-in connector
 Dimension L3 is 250 mm for all sizes

Lengthened finish for wall assembly:

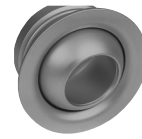


possible finish for tube adapter duct adapter and plug-in connector
 Dimension L3 is 450 mm for all sizes. available from size 160!

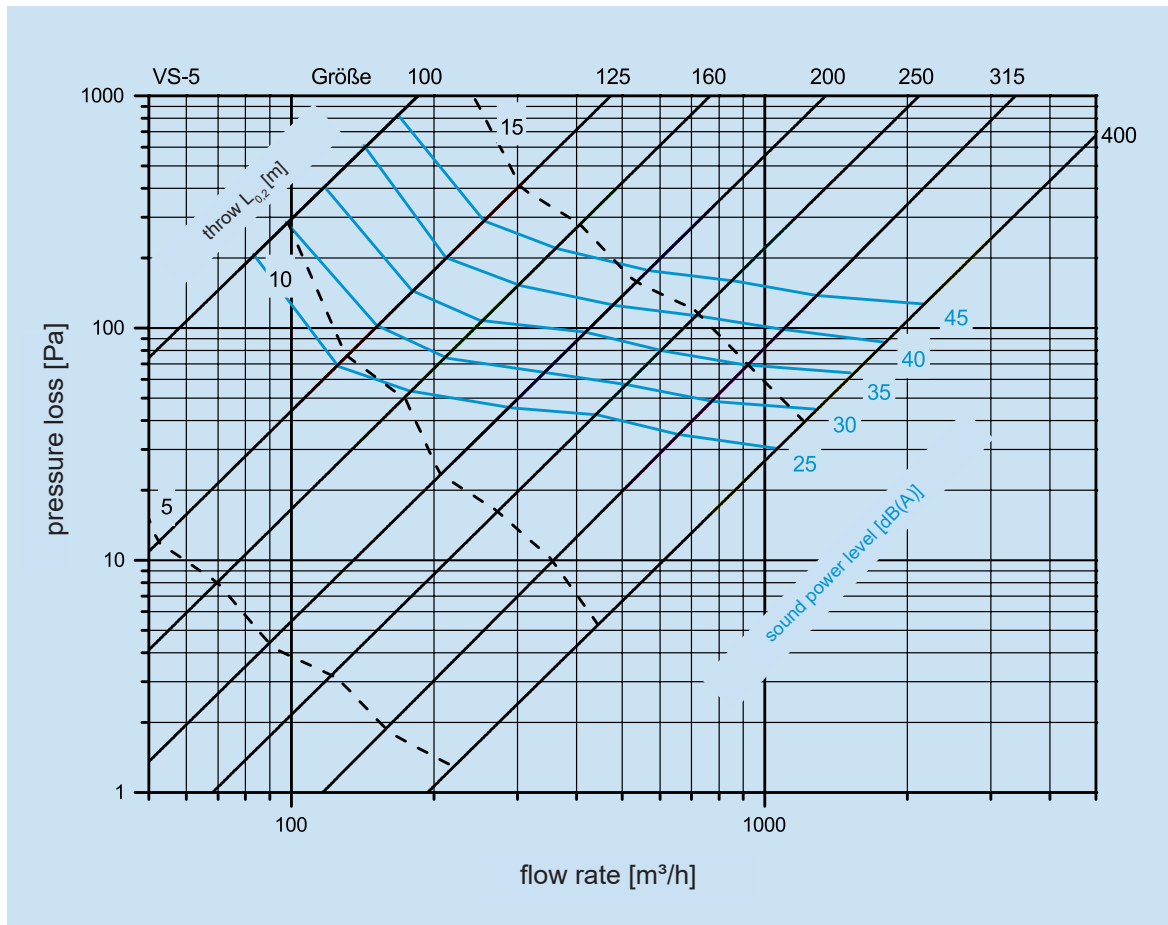
7 LONG THROW JET NOZZLE DIFFUSER

VS-5

long throw jet nozzle diffuser



flow data:

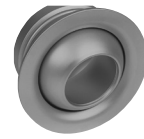


quick selection

size	$L_{WA} = 25$ dB			$L_{WA} = 30$ dB			$L_{WA} = 35$ dB			$L_{WA} = 40$ dB		
	V [m³/h]	Δp [Pa]	$L_{0,2}$ [m]	V [m³/h]	Δp [Pa]	$L_{0,2}$ [m]	V [m³/h]	Δp [Pa]	$L_{0,2}$ [m]	V [m³/h]	Δp [Pa]	$L_{0,2}$ [m]
100	84	204	8,2	98	280	8,9	118	403	9,7	143	595	11,1
125	126	68	8,8	152	102	9,6	181	144	10,7	213	200	12,0
160	179	53	9,1	211	74	9,8	254	107	11,1	302	152	12,6
200	289	45	10,6	342	64	11,8	421	95	13,3	479	124	14,2
250	443	42	11,6	511	57	12,6	605	79	13,8	716	112	14,9
315	659	34	12,6	774	48	13,8	922	69	16,2	1094	97	15,0
400	1062	30	14,1	1292	44	15,4	1548	63	16,6	1789	85	17,6

VS-5

long throw jet nozzle diffuser



7.4

7 LONG THROW JET NOZZLE DIFFUSER

Tender text:

- VS-5 long throw jet diffuser VS-5 consisting of an aerodynamically optimized diffuser body in spherical optic, adjustably bedded in a casing with blind ring, manual flow adjustment, diffuser and blind ring made from aluminium, naturally anodized in E6-EV1.
- RA adapter for round tube installation made from galvanized steel
- KA adapter for duct installation made from galvanized steel
- SV plug-in connector
- EM motor-driven

Manufacturer SLT · Lenzfeld 8 · D - 49811 Lingen (Ems)
Tel. +49(0)591/97337-0 · Fax +49(0)591/97337-50 · info@slt-lingen.de

Type VS - 5 -

Quantity Stück

Ordering example VS - 5 - 250 - RA - EM

